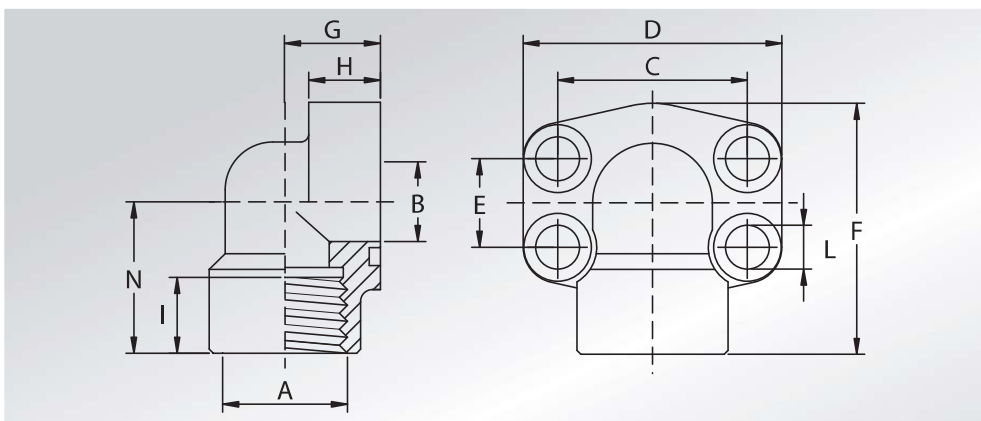




# FLANGE A 90° FILETTATE GAS

## BSP THREADED 90° FLANGES



Pressione max di esercizio raccomandata Kg/cm <sup>2</sup>	Grandezza	Tipo	Dimensioni										Viti		Or tipo	Peso Kg	
Maximum recommended working pressure Kg/cm <sup>2</sup>	Size	Type	Dimensions										Screws		Or type	Weight Kg	
			A	B	C	D	E	F	G	H	I	L	N	Metric	Unc		

### SERIE 3000

345	1/2"	AFS08090G	1/2" GAS	13	38,10	54	17,48	60	20	16	19	9	37	M8x30	5/16"x1"1/4	4075	0,28
345	1/2"	AFS08090G038	3/8" GAS	13	38,10	54	17,48	60	20	16	19	9	37	M8x30	5/16"x1"1/4	4075	0,29
345	3/4"	AFS10090G	3/4" GAS	19	47,63	65	22,23	63	24	18	19	11	38	M10x35	3/8"x1"1/2	4100	0,45
345	3/4"	AFS10090G012	1/2" GAS	19	47,63	65	22,23	63	24	18	19	11	38	M10x35	3/8"x1"1/2	4100	0,48
345	1"	AFS10290G	1" GAS	25	52,37	70	26,19	70	28	19	20	11	43	M10x35	3/8"x1"1/2	4131	0,56
345	1"	AFS10290G034	3/4" GAS	25	52,37	70	26,19	70	28	19	19	11	43	M10x40	3/8"x1"1/2	4131	0,60
276	1"1/4	AFS10490G	1"1/4 GAS	32	58,72	79	30,18	85	34	21	22	11,5	51	M10x40	7/16"x1"3/4	4150	0,89
276	1"1/4	AFS10490G100	1" GAS	32	58,72	79	30,18	85	34	21	20	11,5	51	M10x40	7/16"x1"3/4	4150	0,92
207	1"1/2	AFS10690G	1"1/2 GAS	38	69,85	93	35,71	95	38	25	25	13,5	56	M12x45	1/2"x1"3/4	4187	1,18
207	1"1/2	AFS10690G114	1"1/4 GAS	38	69,85	93	35,71	95	38	25	22	13,5	56	M12x45	1/2"x1"3/4	4187	1,21
207	2"	AFS10890G	2" GAS	51	77,77	110	42,88	110	42	25	28	13,5	65	M12x45	1/2"x1"3/4	4225	2,06
207	2"	AFS10890G112	1"1/2 GAS	51	77,77	110	42,88	110	42	25	25	13,5	65	M12x45	1/2"x1"3/4	4225	2,10

### SERIE 6000

414	1/2"	AFS40190G012	1/2" GAS	13	40,49	54	18,24	60	20	16	19	9	37	M8x30	5/16"x1"1/4	4075	0,28
414	1/2"	AFS40190G038	3/8" GAS	13	40,49	54	18,24	60	20	16	19	9	37	M8x30	5/16"x1"1/4	4075	0,29
414	3/4"	AFS40290G	3/4" GAS	19	50,80	70	23,80	70	28	19	20	11	43	M10x35	3/8"x1"1/2	4100	0,69
414	3/4"	AFS40290G012	1/2" GAS	19	50,80	70	23,80	70	28	19	19	11	43	M10x35	3/8"x1"1/2	4100	0,72
414	1"	AFS40390G	1" GAS	25	57,15	79	27,76	85	34	21	22	13	51	M12x45	7/16"x1"3/4	4131	1,11
414	1"	AFS40390G034	3/4" GAS	25	57,15	79	27,76	85	34	21	20	13	51	M12x45	7/16"x1"3/4	4131	1,15
414	1"1/4	AFS40490G	1"1/4 GAS	32	66,68	93	31,75	95	38	25	25	15	56	M14x45	-	4150	1,45
414	1"1/4	AFS40490GL13	1"1/4 GAS	32	66,68	93	31,75	95	38	25	25	13,5	56	M12x45	1/2"x1"3/4	4150	1,45
414	1"1/4	AFS40490G100	1" GAS	32	66,68	93	31,75	95	38	25	22	15	56	M14x45	-	4150	1,50
414	1"1/4	AFS40490G100L13	1" GAS	32	66,68	93	31,75	95	38	25	22	13,5	56	M12x45	1/2"x1"3/4	4150	1,50
414	1"1/2	AFS40590G	1"1/2 GAS	38	79,38	110	36,50	110	42	25	28	17	65	M16x55	5/8"x2"1/4	4187	2,75
414	1"1/2	AFS40590G114	1"1/4 GAS	38	79,38	110	36,50	110	42	25	25	17	65	M16x55	5/8"x2"1/4	4187	2,80
414	2"	AFS40690G	2" GAS	51	96,82	134	44,45	132	45	35	33	21	75	M20x70	3/4"x2"3/4	4225	3,95
414	2"	AFS40690G112	1"1/2 GAS	51	96,82	134	44,45	132	45	35	28	21	75	M20x70	3/4"x2"3/4	4225	4,40

DESIGNAZIONE PER ORDINE DESIGNATION FOR ORDER	Materiale / Material	
	S355	AISI 316L
Solo flangia Only flange	<b>AFS...90G</b>	<b>AFX...90G</b>
Flangia completa di viti metriche, grower e o-ring Flange complete of metric screws, grower type washers and o-ring	<b>AFS...90GM</b>	<b>AFX...90GM</b>
Flangia completa di viti unc, grower e o-ring Flange complete of unc screws, grower type washers and o-ring	<b>AFS...90GU</b>	<b>AFX...90GU</b>

### NOTE / NOTES

set viti unc disponibili solo in acciaio al carbonio  
unc screws set available only in carbon steel